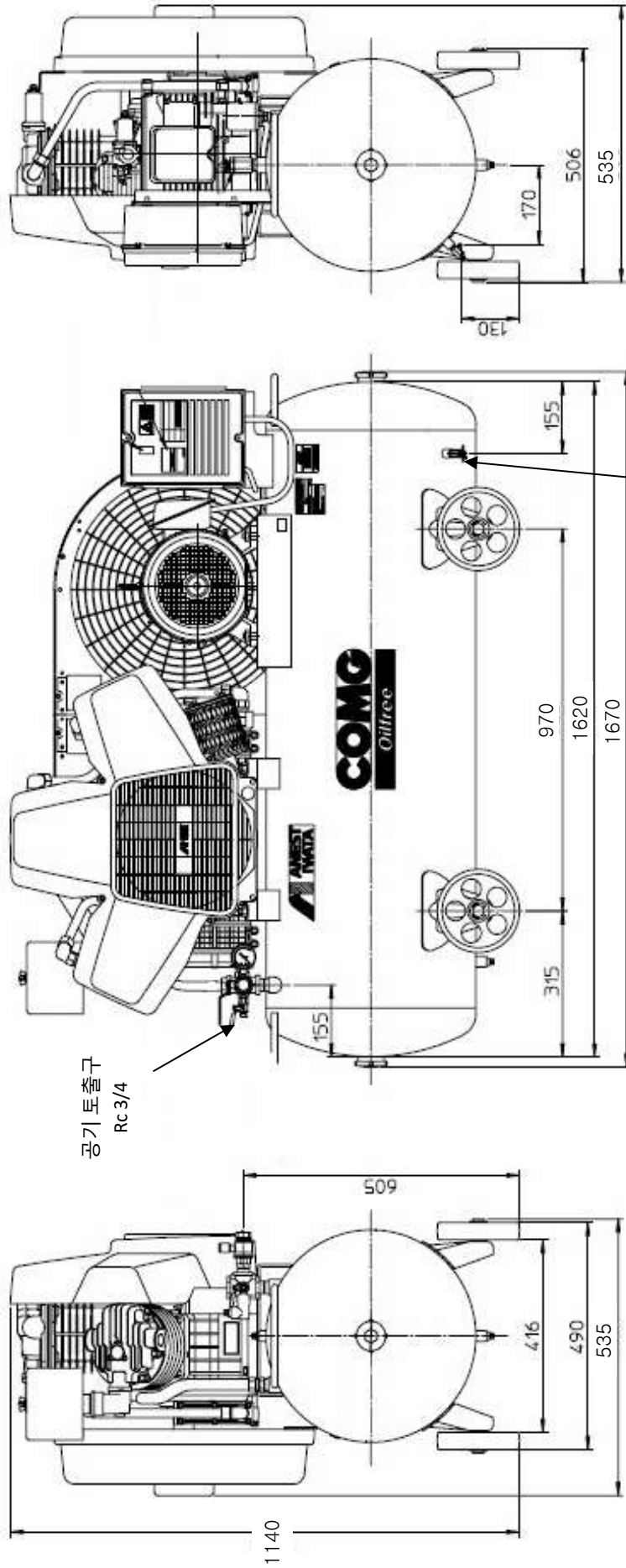




# SPECIFICATIONS

<b>Oil-Free Reciprocating Air Compressor</b>	DATE	17-0102
	CUSTOMER	
	MODEL No.	TFPS75-10
<b>1. BASIC COMP.</b>		
Model	F75P-14	
Cylinder Bore × Stroke × Number	LP 90×85×2 HP 75×85×1	
Fly wheel dia.	465 mm	
Compressed fluid	Atmosphere (air)	
Compressed method	Oil free Rciprocating, Two Stage	
Cooling method	Air cooled	
Operation control	Pressure Switch	
Control pressure	0.8~1.0 MPa	
Discharge air volume ※1	825 L/min	
Air end rotation speed	960 min-1	
Driving method	V-Belt Drive	
Discharge air outlet	Rc 3/4	
Air temperature set outlet	Atmosphere + 40℃ less than	
Noise level (front face 1.5m) ※2	76 dB(A)	
<b>2. AIR TANK</b>		
Volume	220 L	
Max. Operating pressure	1.08 MPa	
<b>3. MOTOR</b>		
Type of motor	B Class insulation 4 pole	
Output power	7.5 kW	
Electric source	Three phase AC 220, 380V(Toshiba), 440V(Hyundai) / 60Hz	
Rated current (60Hz)	220V : 27.2A 380V : 15.7A 440V : 14.1A	
Starter method	Magnetic contactor direct start	
<b>4. PROTECTION</b>		
Over current stop	Thermal Relay (OCR)	
<b>5. OTHERS</b>		
Dimension (L x W x H) ※3	1670 x 535 x 1140 mm	
Aprox weight	269 kg	
Accessories	Instruction manual	
<b>REMARK</b>		
※1. The discharge air volume is the average value which is converted into the discharge air volume of atmospheric pressure at 0.95Mpa		
※2. Noise level is measured at a anechoic room under loading operation.		
※3. The dimension is outter dimension which does not include ball valve.		



드레인 토출구  
Rc 3/8

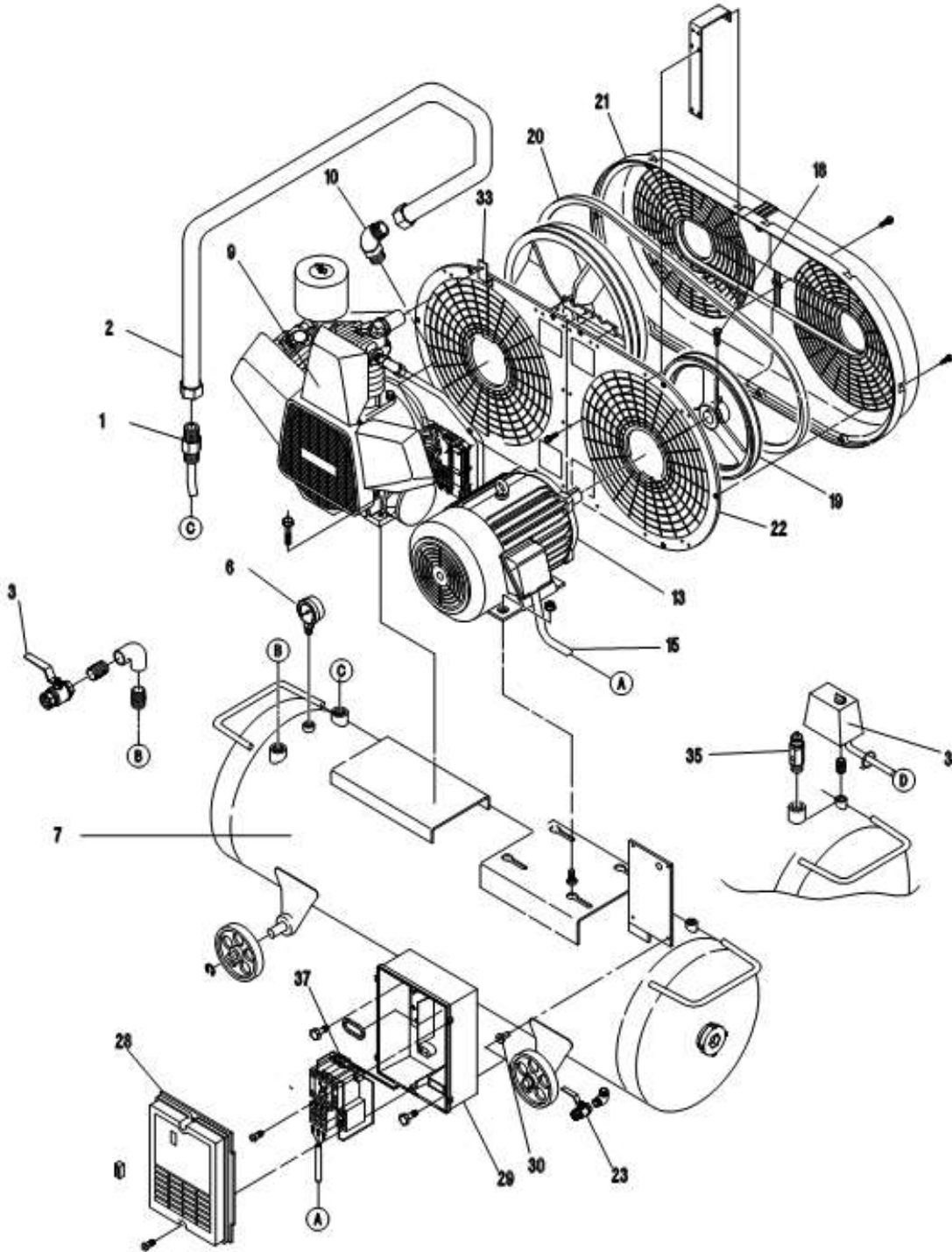
Product Name

Oil-Free Reciprocating Air Compressor

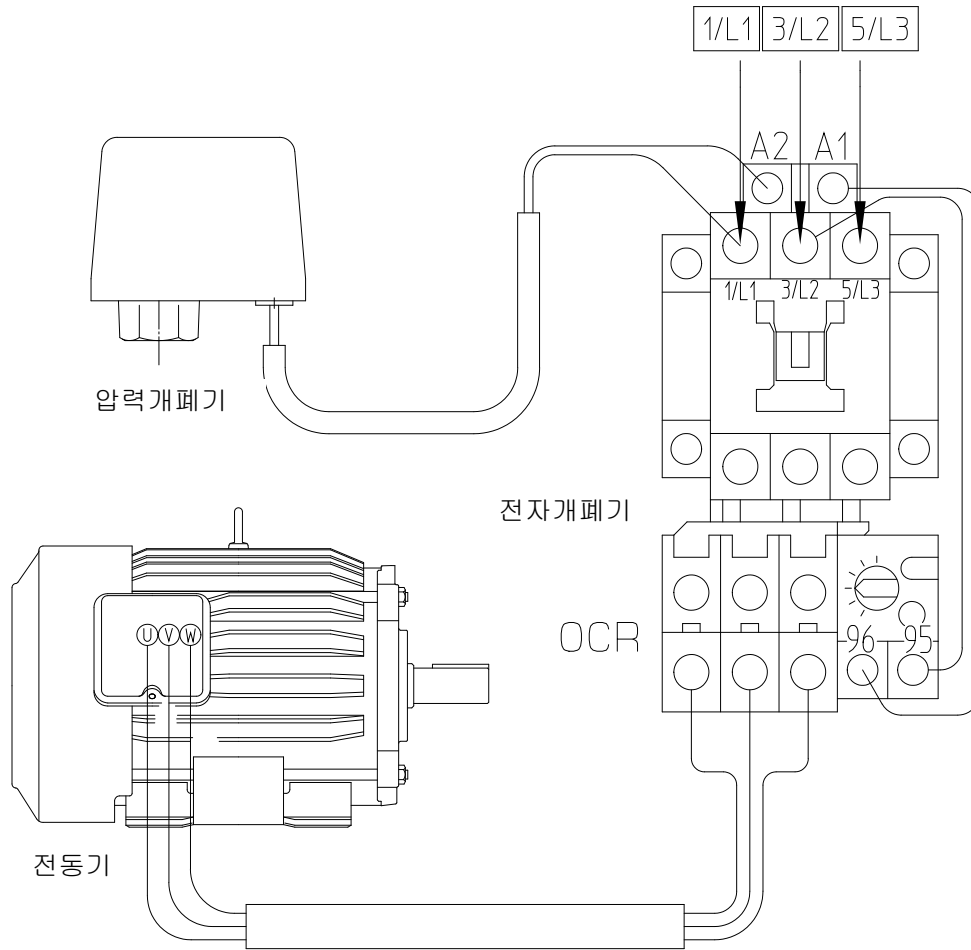
Model

TFPS75-10

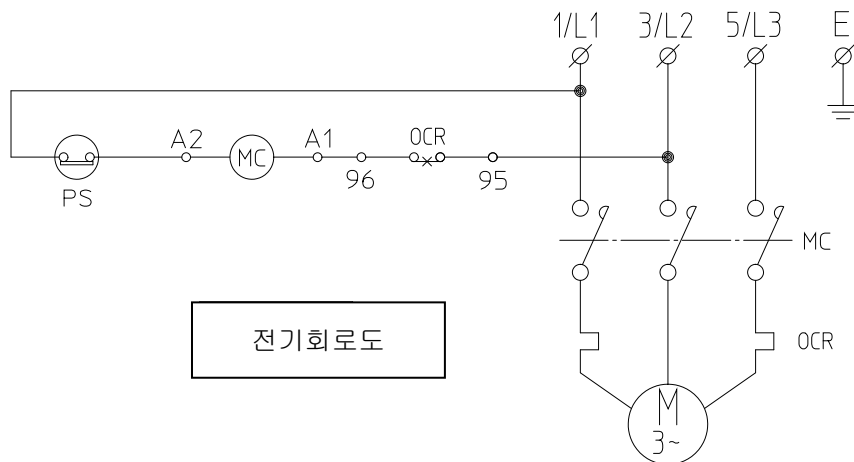
REV. 0



번호	부품명	수량
1	특수 Joint	1
2	배관	1
3	볼 밸브	1
6	압력계	1
7	공기 탱크 세트	1
9	압축기 본체	1
10	특수 엘보	1
13	전동기	1
15	전동기 리드선	1
18	고 장력 육각 볼트	1
19	전동기 풀리	1
20	V 벨트	2
21	벨트 덮개(1)	2
22	벨트 덮개(2)	2
23	볼 밸브(드레인)	1
28	박스 덮개	1
29	제어 박스	1
30	너 트	1
33	벨트 덮개 고정구	1
34	압력 개폐기	1
35	안전밸브	1
37	전자 개폐기	1



3ph / AC220, 380V / 50, 60Hz



전기회로도

Product Name	<b>Oil-Free Reciprocating Air Compressor</b>	Model	TFPS75-10	REV. 0
--------------	--	-------	-----------	--------