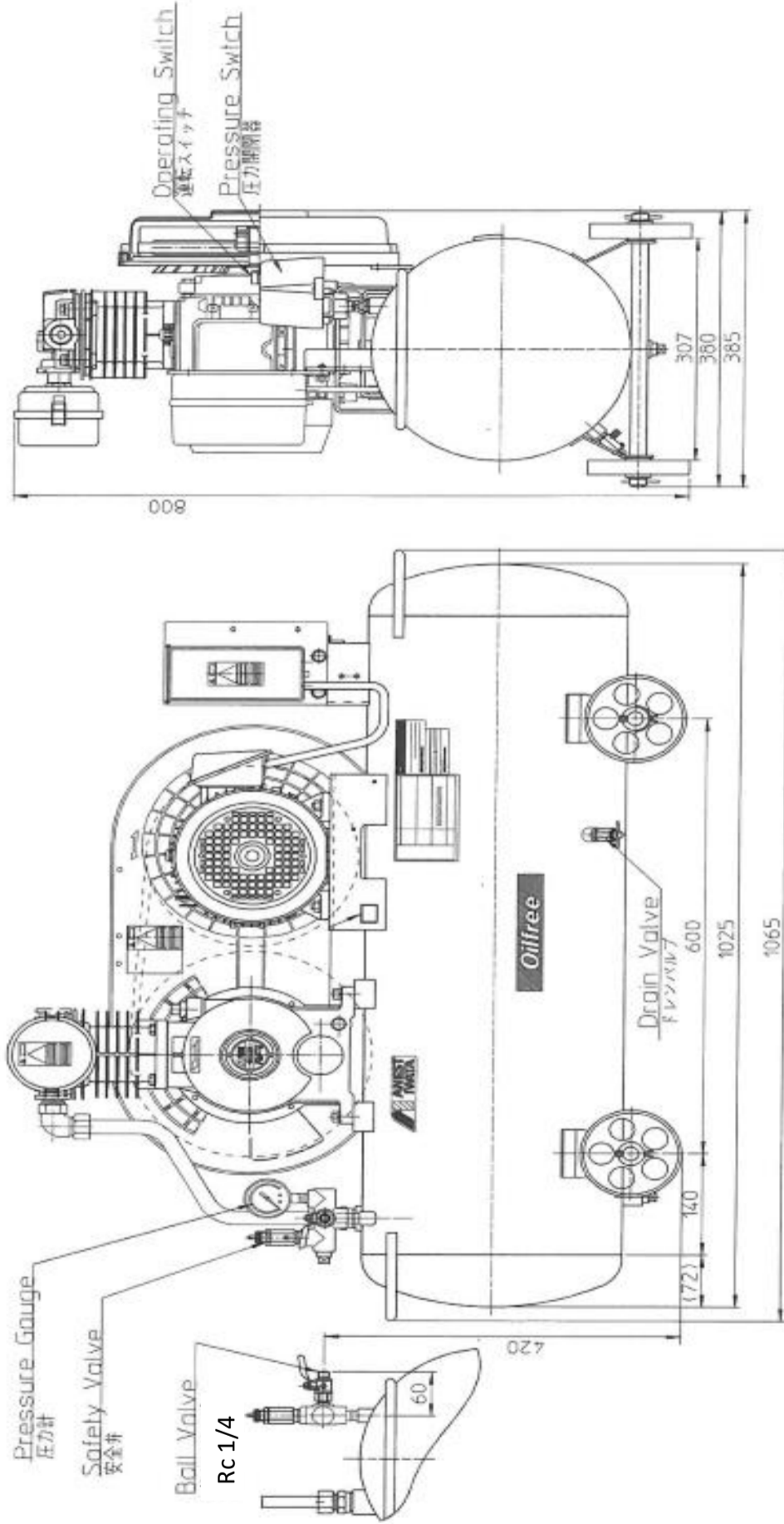


Oil-Free Reciprocating Air Compressor	DATE	17-0102
	CUSTOMER	
	MODEL No.	TFPS15-10
1. BASIC COMP.		
Model	F15P-10	
Cylinder Bore × Stroke × Number	65×65×1	
Fly wheel dia.	284 mm	
Compressed fluid	Atmosphere (air)	
Compressed method	Oil free Rciprocating, Single Stage	
Cooling method	Air cooled	
Operation control	Pressure Switch	
Control pressure	0.8~1.0 MPa	
Discharge air volume ※1	160 L/min	
Air end rotation speed	1,240 min ⁻¹	
Driving method	V-Belt Drive	
Discharge air outlet	Rc 1/4	
Air temperature set outlet	Atmosphere + 30℃ less than	
Noise level (front face 1.5m) ※2	71 dB(A)	
2. AIR TANK		
Volume	70 L	
Max. Operating pressure	1.08 MPa	
3. MOTOR		
Type of motor	B Class insulation 4 pole	
Output power	1.5 kW	
Electric source	Three phase AC 220, 380V(Toshiba), 440V(Hyundai) / 60Hz	
Rated current (60Hz)	220V : 5.6A 380V : 3.3A 440V : 4.4A	
Starter method	Magnetic contactor direct start	
4. PROTECTION		
Over current stop	Thermal Relay (OCR)	
5. OTHERS		
Dimension (L x W x H) ※3	1065 x 385 x 800 mm	
Aprox weight	75 kg	
Accessories	Instruction manual	
REMARK		
※1. The discharge air volume is the average value which is converted into the discharge air volume of atmospheric pressure at 0.95Mpa		
※2. Noise level is measured at a anechoic room under loading operation.		
※3. The dimension is outter dimension which does not include ball valve.		



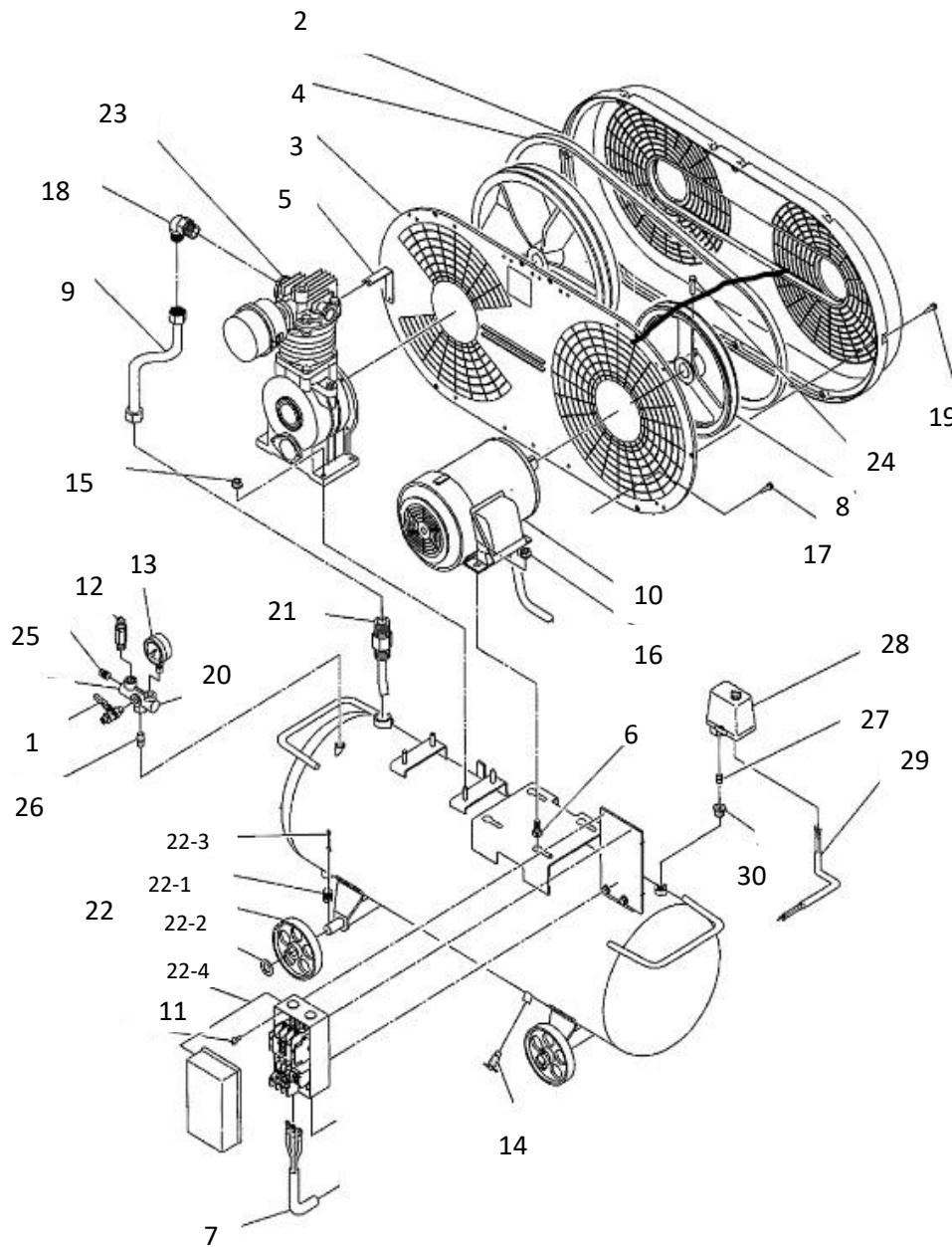
Product Name

Oil-Free Reciprocating Air Compressor

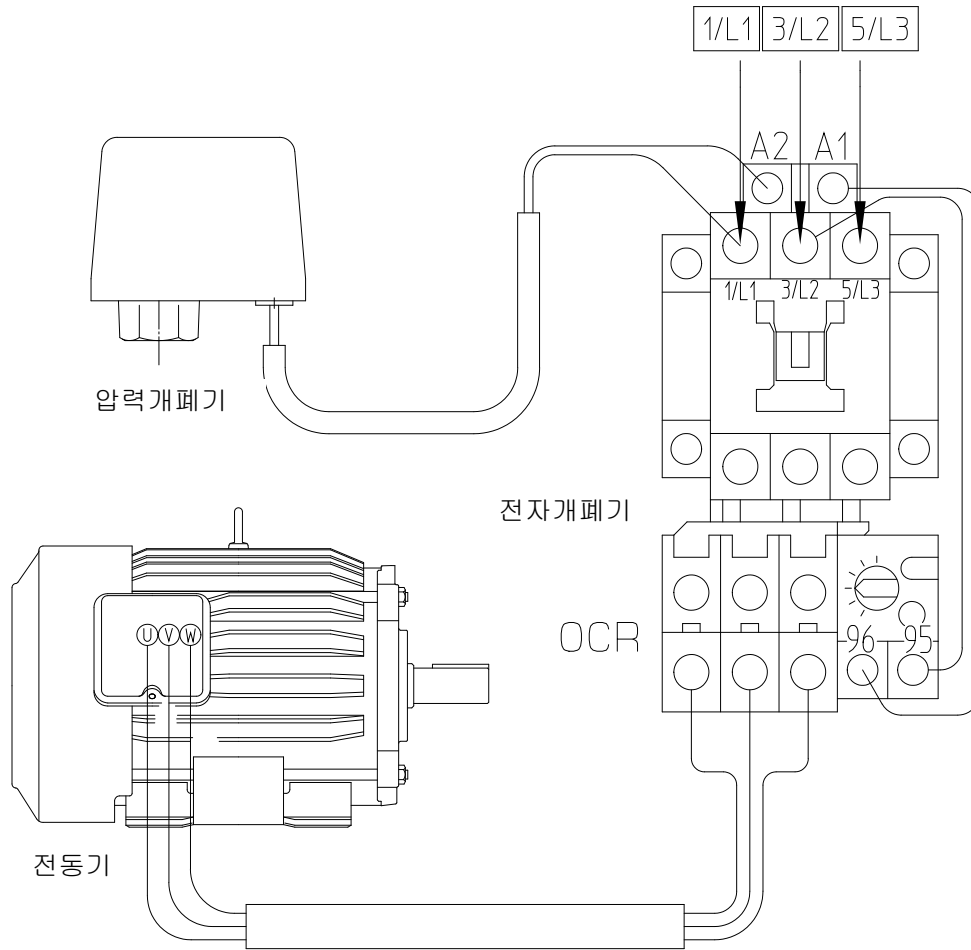
Model

TFPS15-10

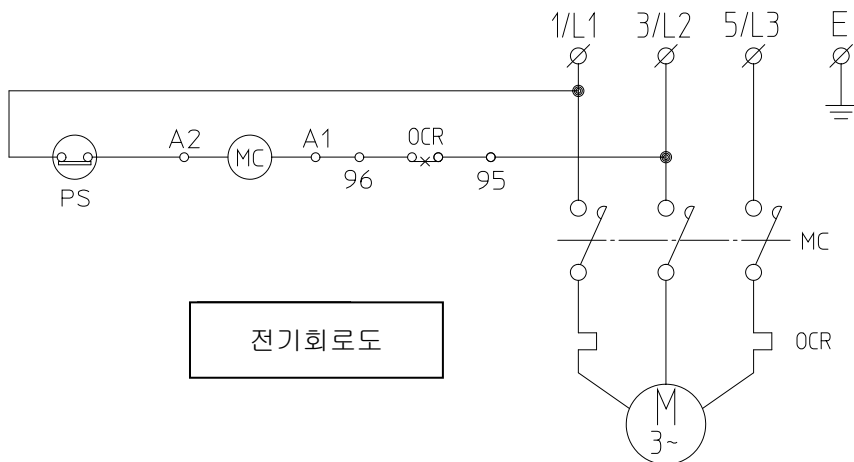
REV. 0



번호	부품명	수량
1	볼밸브	1
2	벨트 덮개(1)	1
3	벨트 덮개(2)	1
4	V 벨트(A-54)	1
5	벨트덮개 고정구	1
6	볼트	4
7	모터 전원 코드	1
8	전동기 풀리	1
9	배관 세트	1
10	전동기	1
11	제어함 세트	1
12	안전밸브	1
13	압력계	1
14	볼밸브(드레인)	1
15	고정볼트(본체)	4
16	고정볼트(모터)	4
17	업셋볼트	5
18	특수 엘보	1
19	태핑볼트	8
20	분기 Joint	1
21	특수 Joint	1
22	공기탱크 세트	1
22-1	플러그	1
22-2	바퀴	4
22-3	분할 핀	4
22-4	와셔	4
23	압축기 본체	1
24	풀리 고정 볼트	1
25	플러그(분기 joint 결합)	1
26	배럴니플	
27	배럴니플(압력개폐기)	1
28	압력개폐기	1
29	압력개폐기 리드선	1
30	부시	1



3ph / AC220, 380V / 50, 60Hz



전기회로도

Product Name	Oil-Free Reciprocating Air Compressor	Model	TFPS15-10	REV. 0
--------------	--	-------	-----------	--------