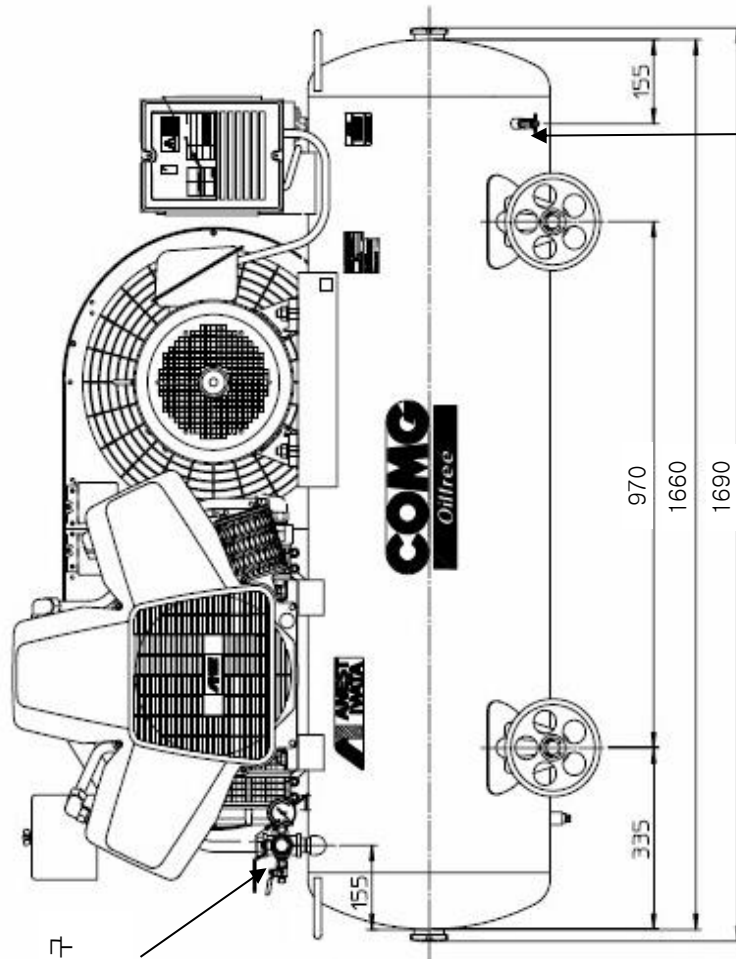
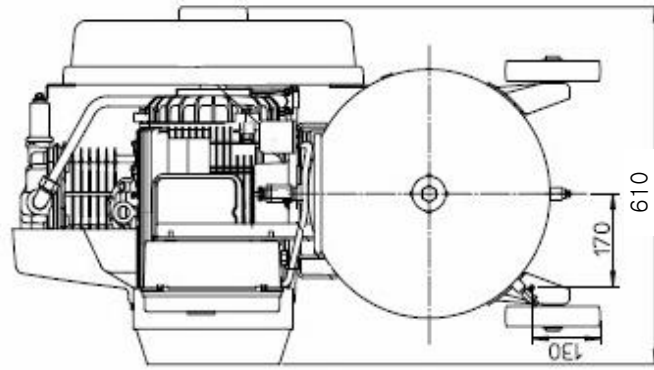


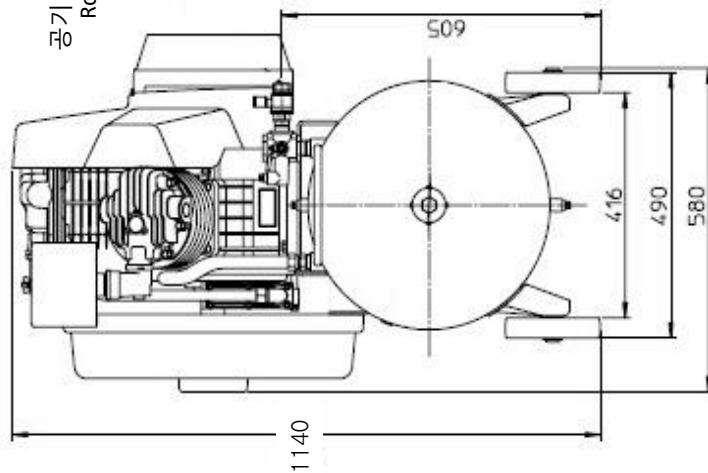


SPECIFICATIONS

Oil-Free Reciprocating Air Compressor	DATE	17-0102
	CUSTOMER	
	MODEL No.	TFPS110-10
1. BASIC COMP.		
Model	F110P-10	
Cylinder Bore × Stroke × Number	LP 105×85×2 HP 75×85×1	
Fly wheel dia.	500 mm	
Compressed fluid	Atmosphere (air)	
Compressed method	Oil free Rciprocating, Two Stage	
Cooling method	Air cooled	
Operation control	Pressure Switch	
Control pressure	0.8~1.0 MPa	
Discharge air volume ※1	1200 L/min	
Air end rotation speed	1100 min-1	
Driving method	V-Belt Drive	
Discharge air outlet	Rc 3/4	
Air temperature set outlet	Atmosphere + 45℃ less than	
Noise level (front face 1.5m) ※2	79 dB(A)	
2. AIR TANK		
Volume	220 L	
Max. Operating pressure	1.08 MPa	
3. MOTOR		
Type of motor	B Class insulation 4 pole	
Output power	11.0 kW	
Electric source	Three phase AC 220, 380V(Toshiba), 440V(Hyundai) / 60Hz	
Rated current (60Hz)	220V : 38.6A 380V : 22.2A 440V : 20.3A	
Starter method	Magnetic contactor direct start	
4. PROTECTION		
Over current stop	Thermal Relay (OCR)	
5. OTHERS		
Dimension (L x W x H) ※3	1670 x 610 x 1140 mm	
Aprox weight	333 kg	
Accessories	Instruction manual	
REMARK		
※1. The discharge air volume is the average value which is converted into the discharge air volume of atmospheric pressure at 0.95Mpa		
※2. Noise level is measured at a anechoic room under loading operation.		
※3. The dimension is outter dimension which does not include ball valve.		



드레인 토출구
Rc 3/8



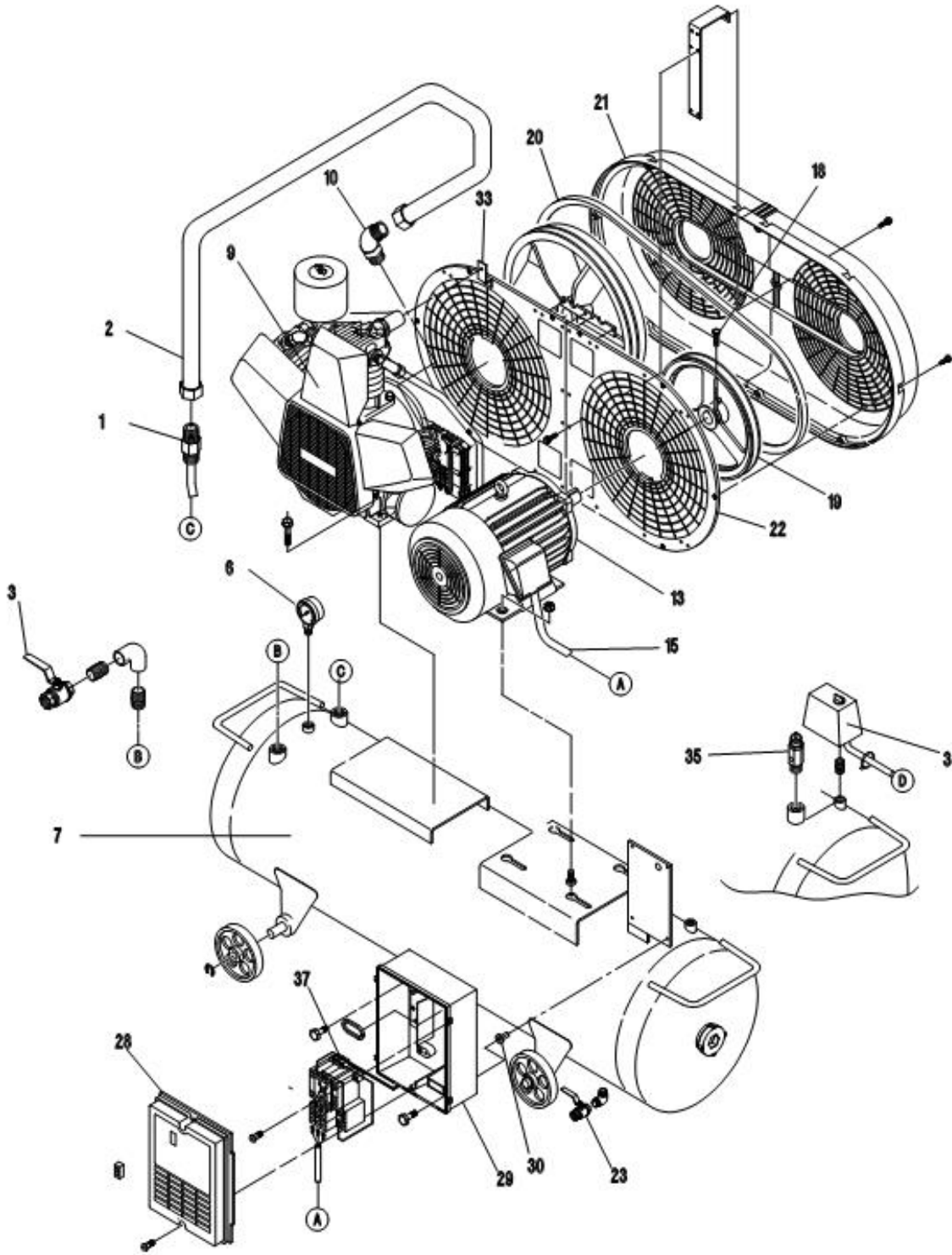
Product Name

Oil-Free Reciprocating Air Compressor

Model

TFPS110-10

REV. 0



번호	부품명	수량
1	특수 Joint	1
2	배관	1
3	볼 밸브	1
6	압력계	1
7	공기 탱크 세트	1
9	압축기 본체	1
10	특수 엘보	1
13	전동기	1
15	전동기 리드선	1
18	고장력 육각 볼트	1
19	전동기 풀리	1
20	V 벨트	2
21	벨트 덮개(1)	2
22	벨트 덮개(2)	2
23	볼 밸브(드레인)	1
28	박스 덮개	1
29	제어 박스	1
30	너트	1
33	벨트 덮개 고정구	1
34	압력 개폐기	1
35	안전밸브	1
37	전자 개폐기	1

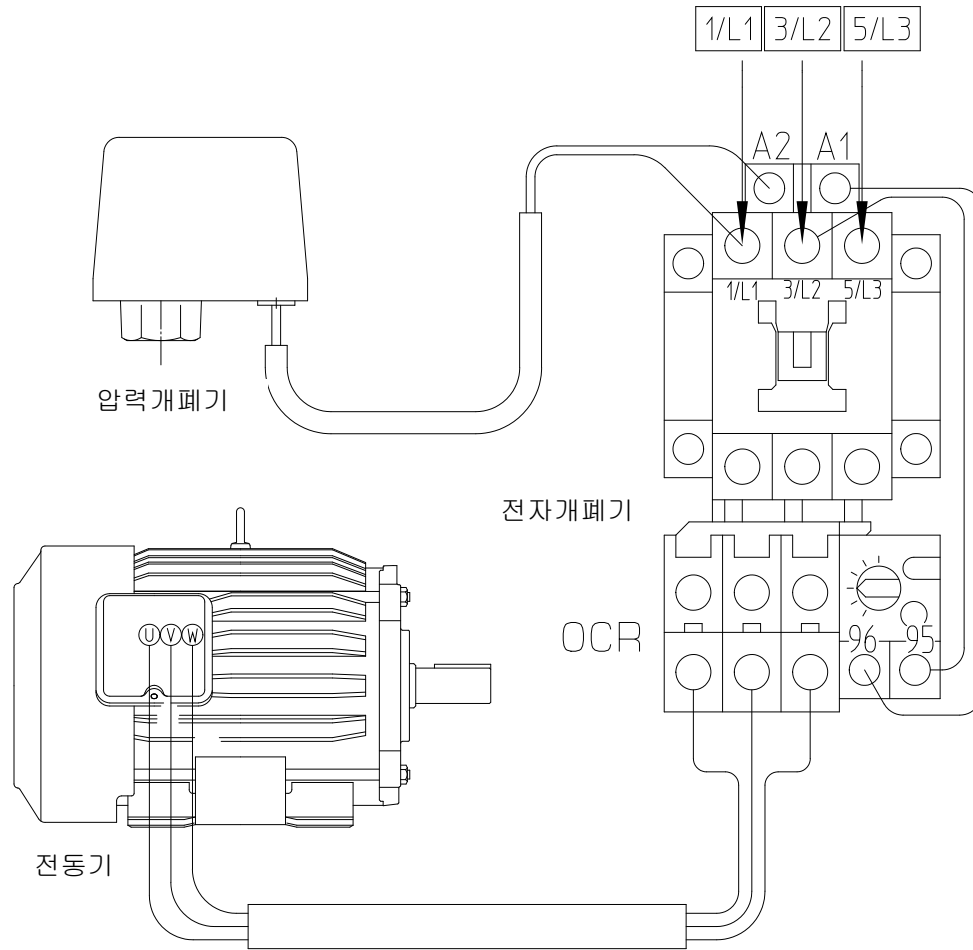
Product Name

Oil-Free Reciprocating Air Compressor

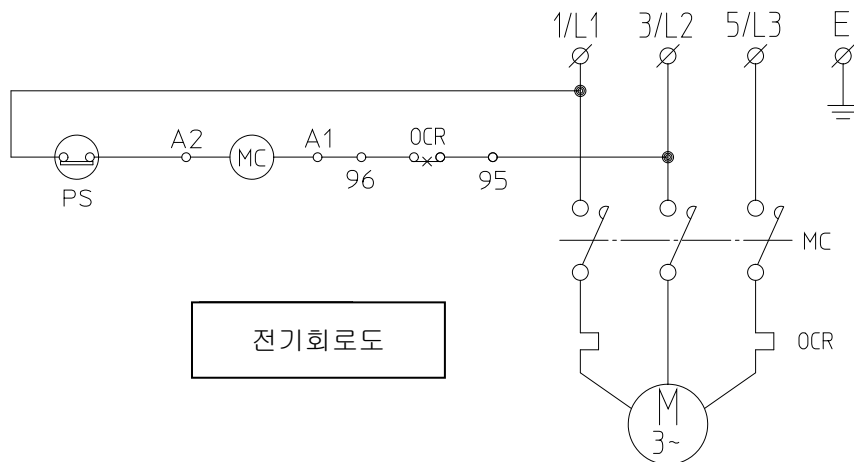
Model

TFPS110-10

REV. 0



3ph / AC220, 380V / 50, 60Hz



전기회로도

Product Name	Oil-Free Reciprocating Air Compressor	Model	TFPS110-10	REV. 0
--------------	--	-------	------------	--------