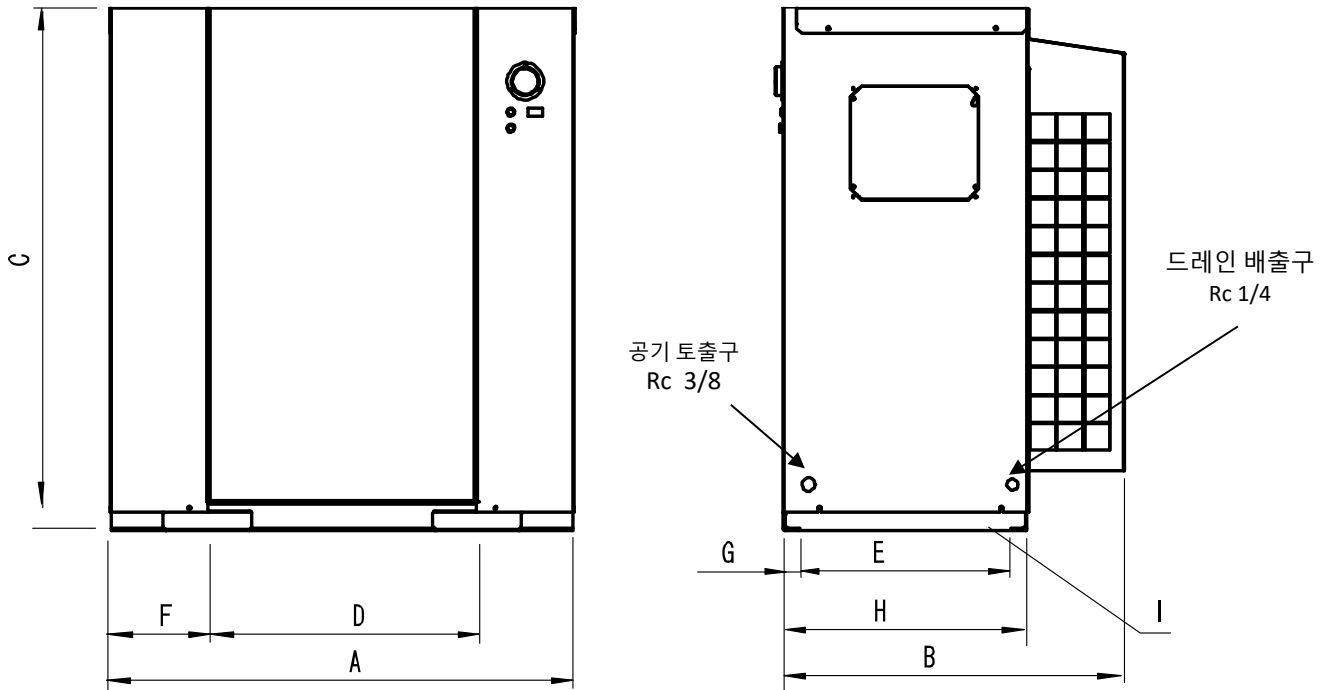


Oil-Free Reciprocating Air Compressor	DATE	17-0102
	CUSTOMER	
	MODEL No.	CFPS37-8.5
1. BASIC COMP.		
Model	F37P-10	
Cylinder Bore × Stroke × Number	75×70×2	
Fly wheel dia.	370 mm	
Compressed fluid	Atmosphere (air)	
Compressed method	Oil free Reciprocating, One Stage	
Cooling method	Air cooled	
Operation control	Pressure Switch	
Control pressure	0.65~0.85 MPa	
Free air delivery ※1	375 L/min	
Air end rotation speed	1090 min ⁻¹	
Driving method	V-Belt Driven	
Discharge air outlet	Rc 3/8	
Air temperature set outlet	Atmosphere + 30℃ less than	
Noise level (1.5m from the front) ※2	56 dB(A)	
2. AIR TANK		
Volume	44 L	
Max. Operating pressure	0.85 MPa	
3. MOTOR		
Type of motor	F Class insulation 4 pole	
Output power	3.7 kW	
Electric source	Three phase AC 220, 380V(Toshiba), 440V(Hyundai) / 60Hz	
Rated current (60Hz)	220V : 13.7A 380V : 7.9A 440V : 7.1A	
Starter method	Magnetic contactor direct start	
4. PROTECTION		
Over current stop	Thermal Relay (OCR)	
5. OTHERS		
Dimension (L x W x H) ※3	890 x 655 x 985 mm	
Approx. weight	132kg	
Accessories	Instruction manual	
REMARK		
※ 1. Air delivery is discharged air volume at 0.85MPa converted into atmospheric pressure.		
※ 2. Noise level is measured at an anechoic room under loading operation.		
※ 3. The dimension is outer size excluding ball valve.		



치수표

형 식	A	B	C	D	E	F	G	H	I
CFPS22-8.5	890	655	985	520	440	185	15	470	4-Φ13.5
CFPS37-8.5	890	655	985	520	440	185	15	470	4-Φ13.5

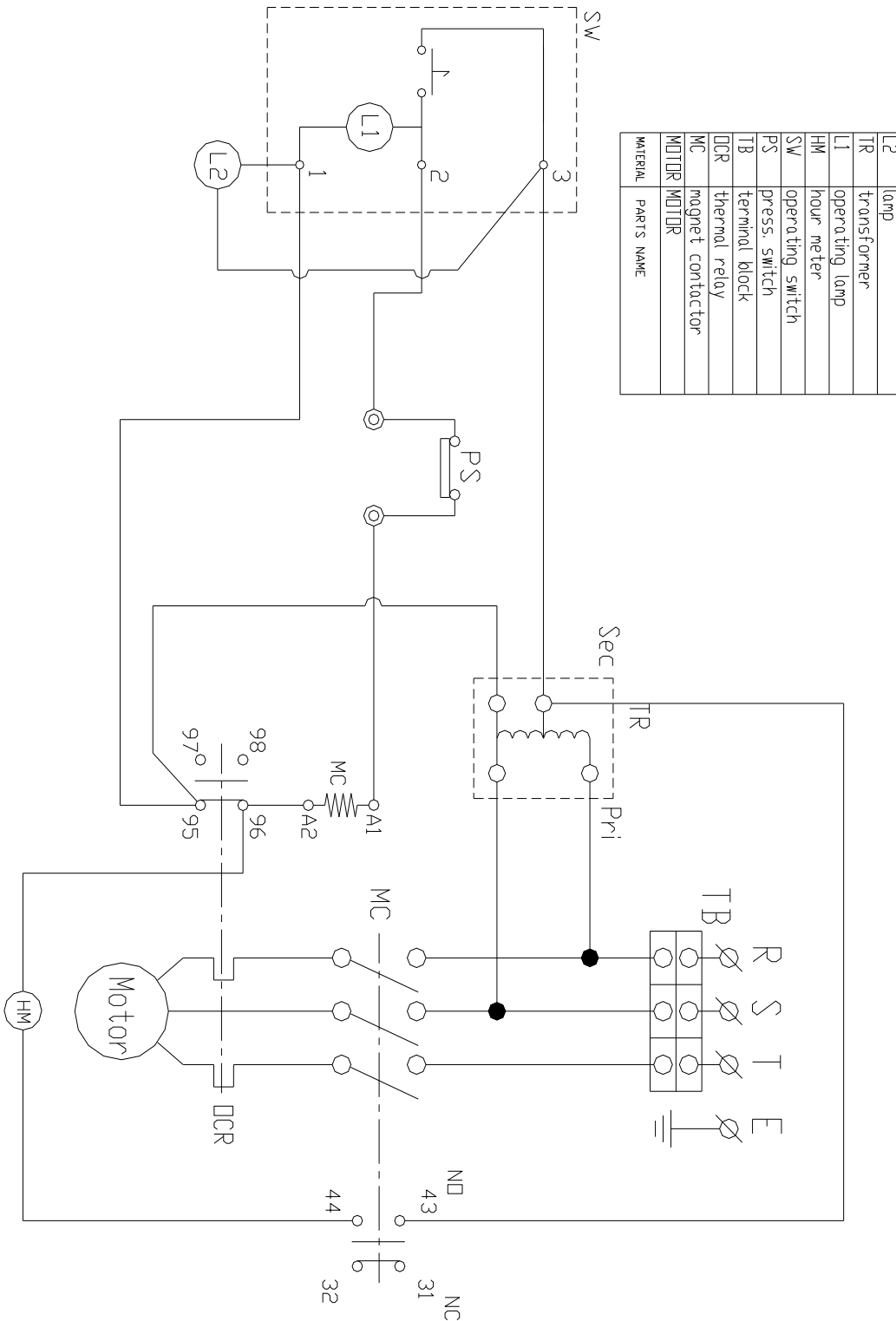
Product Name

Oil-Free Reciprocating Air Compressor

Model

CFPS37-8.5

REV. 0



MATERIAL	PARTS NAME
L2	lamp
TR	transformer
L1	operating lamp
HM	hour meter
SW	operating switch
PS	press. switch
TB	terminal block
DCR	thermal relay
MC	magnet contactor
MOTDR	MOTDR

Product Name

Oil-Free Reciprocating Air Compressor

Model

CFPS37-8.5

REV. 0