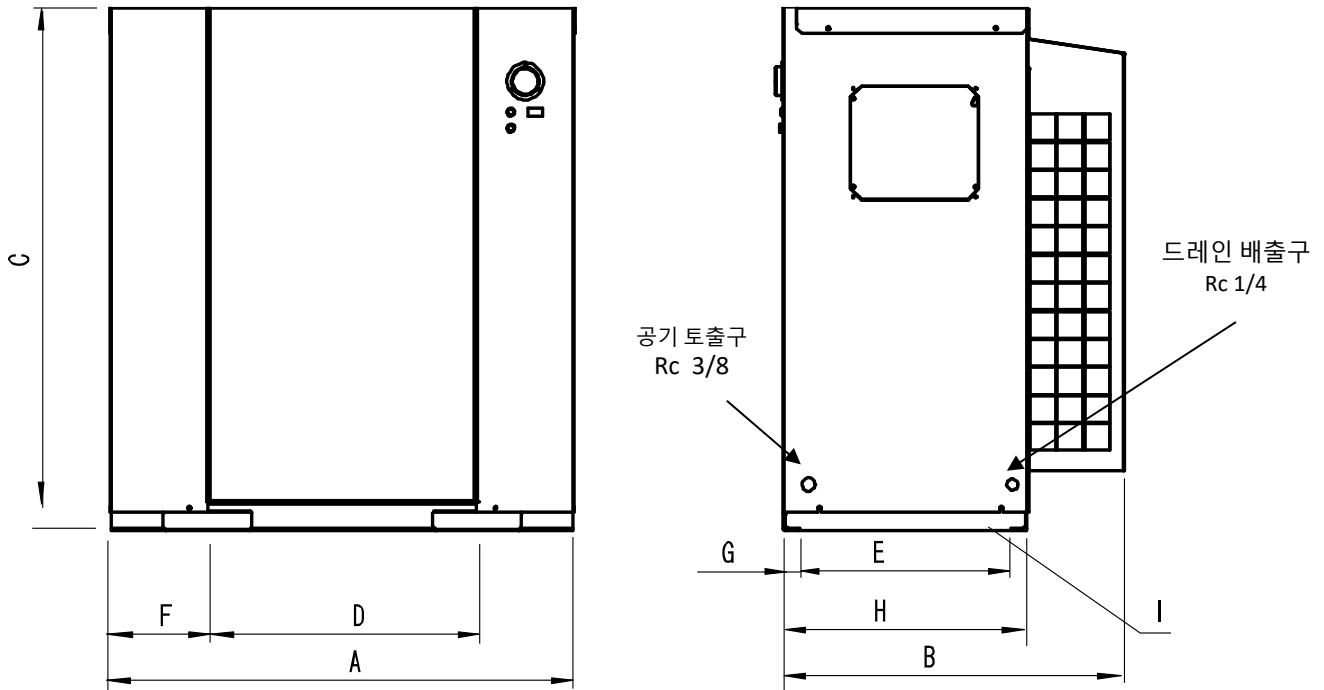




SPECIFICATIONS

Oil-Free Reciprocating Air Compressor	DATE	17-0102
	CUSTOMER	
	MODEL No.	CFPS22-8.5
1. BASIC COMP.		
Model	F22P-10	
Cylinder Bore × Stroke × Number	65×60×2	
Fly wheel dia.	350 mm	
Compressed fluid	Atmosphere (air)	
Compressed method	Oil free Rciprocating, One Stage	
Cooling method	Air cooled	
Operation control	Pressure Switch	
Control pressure	0.65~0.85 MPa	
Free air delivery ※1	260 L/min	
Air end rotation speed	1100 min-1	
Driving method	V-Belt Driven	
Discharge air outlet	Rc 3/8	
Air temperature set outlet	Atmosphere + 30℃ less than	
Noise level (1.5m from the front) ※2	53 dB(A)	
2. AIR TANK		
Volume	44 L	
Max. Operating pressure	0.85 MPa	
3. MOTOR		
Type of motor	F Class insulation 4 pole	
Output power	2.2 kW	
Electric source	Three phase AC 220, 380V(Toshiba), 440V(Hyundai) / 60Hz	
Rated current (60Hz)	220V : 9.4A 380V : 5.4A 440V : 4.4A	
Starter method	Magnetic contactor direct start	
4. PROTECTION		
Over current stop	Thermal Relay (OCR)	
5. OTHERS		
Dimension (L x W x H) ※3	890 x 655 x 985 mm	
Approx. weight	121 kg	
Accessories	Instruction manual	
REMARK		
※1. Air delivery is discharged air volume at 0.85MPa converted into atmospheric pressure.		
※2. Noise level is measured at an anechoic room under loading operation.		
※3. The dimension is outer size excluding ball valve.		



치수표

형 식	A	B	C	D	E	F	G	H	I
CFPS22-8.5	890	655	985	520	440	185	15	470	4-Φ13.5
CFPS37-8.5	890	655	985	520	440	185	15	470	4-Φ13.5

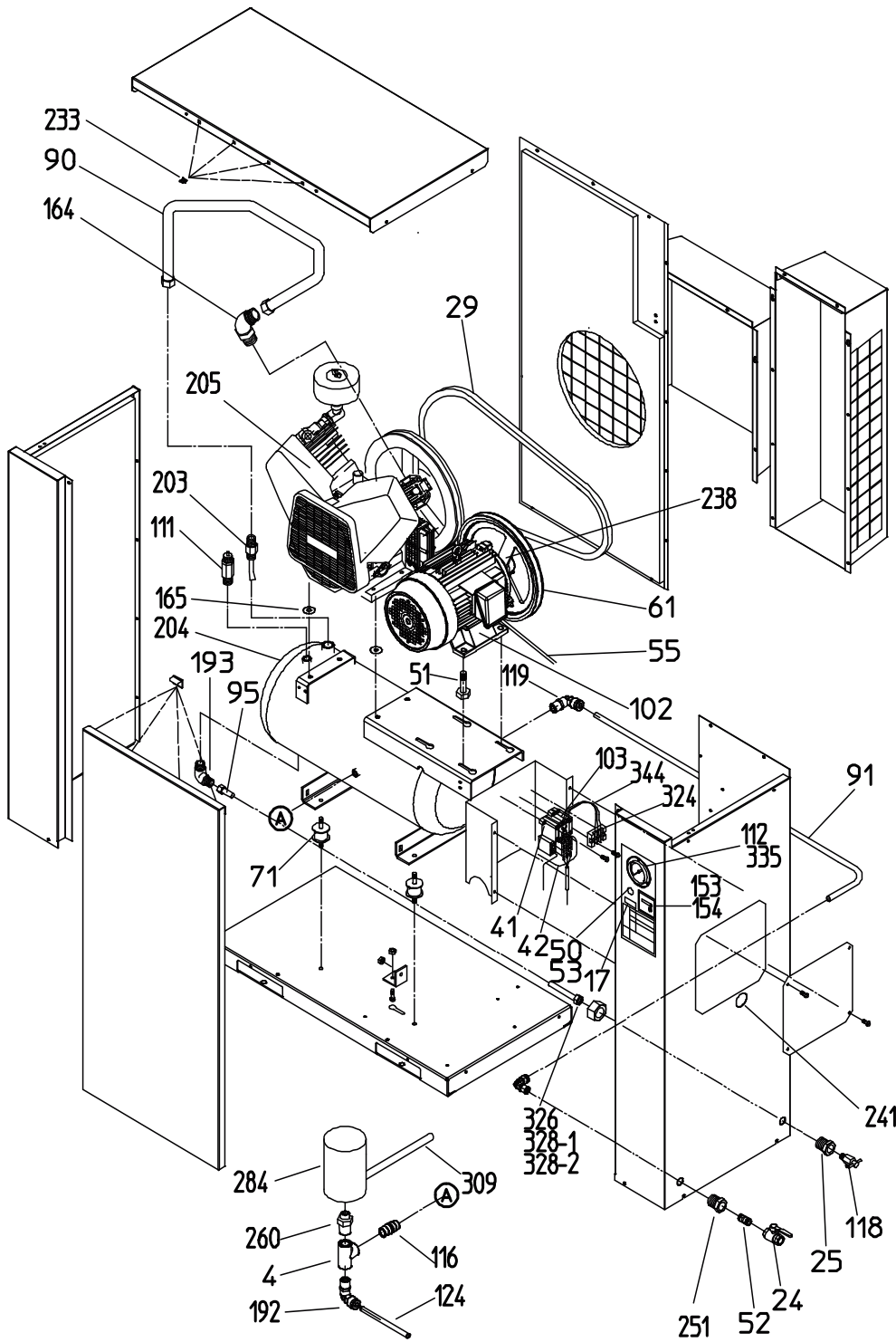
Product Name

Oil-Free Reciprocating Air Compressor

Model

CFPS22-8.5

REV. 0



번호	부품명	개수	
		①	②
4	티	1	1
17	로컬스위치	1	1
24	볼밸브	1	1
25	드레인조인트	1	1
29	브이밸브	1	1
41	운전스위치코드(1)	1	1
42	운전스위치코드(2)	1	1
50	표시등	1	1
51	볼트	6	6
52	단니플	1	1
53	램프코드	2	2
55	전동기코드	1	1
61	전동기폴리	1	1
71	방진고무(본체)	4	4
90	접속관세트	1	1
91	토출파이프	1	1
95	드레인배수파이프	1	1
102	전동기	1	1
103	전자개폐기	1	1
111	안전변	1	1
112	압력계파이프	1	1
116	단니플	1	1
118	드레인파이프	1	1
119	엘보유니온	2	2
124	압력계파이프	1	1
153	시간계	0	1
154	시간계코드	0	1
164	특수엘보	1	1
165	방진고무(본체)	4	4
192	엘보유니온	1	1
193	엘보유니온	1	1
203	조인트세트	1	1
204	공기탱크세트	1	1
205	압축기본체	1	1
233	햇치핸들	4	4
238	고장력육각볼트	1	1
241	막부그로멧	1	1
251	PT판넬	1	1
260	이경니플	1	1
284	흡입호스세트	1	1
309	압력개폐기	1	1
324	압력개폐기코드	3	1
326	단자대	2	2
328-1	인서트링	1	1
328-2	너트	1	1
335	메스엘보유니온	1	1
344	전압코드	3	3

Product Name

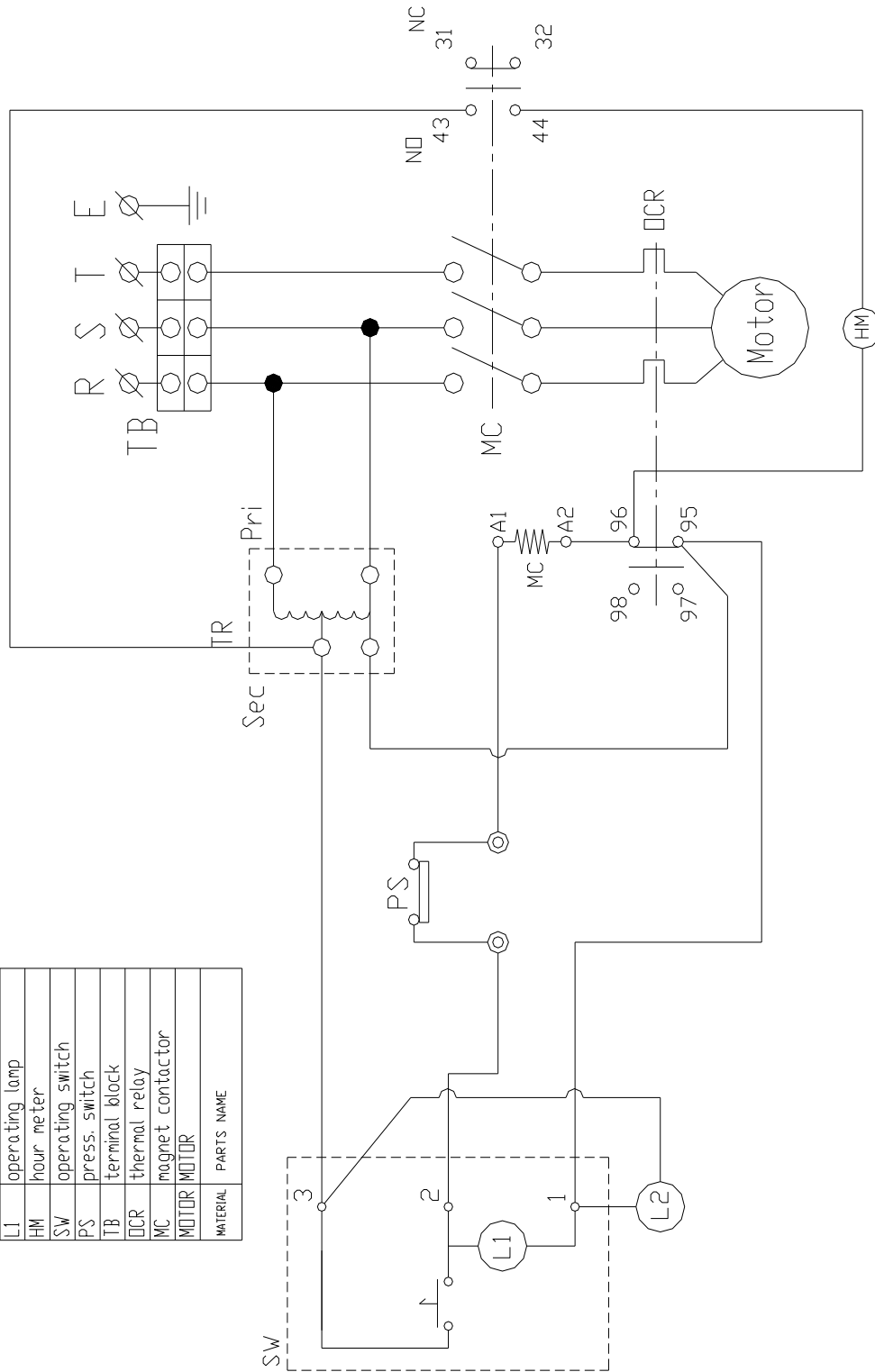
Oil-Free Reciprocating Air Compressor

Model

CFPS22-8.5

REV. 0

L2	lamp
TR	transformer
L1	operating lamp
HM	hour meter
SW	operating switch
PS	press. switch
TB	terminal block
DCR	thermal relay
MC	magnet contactor
MOTOR	MOTOR
MATERIAL	PARTS NAME



Product Name

Oil-Free Reciprocating Air Compressor

Model

CFPS22-8.5

REV. 0