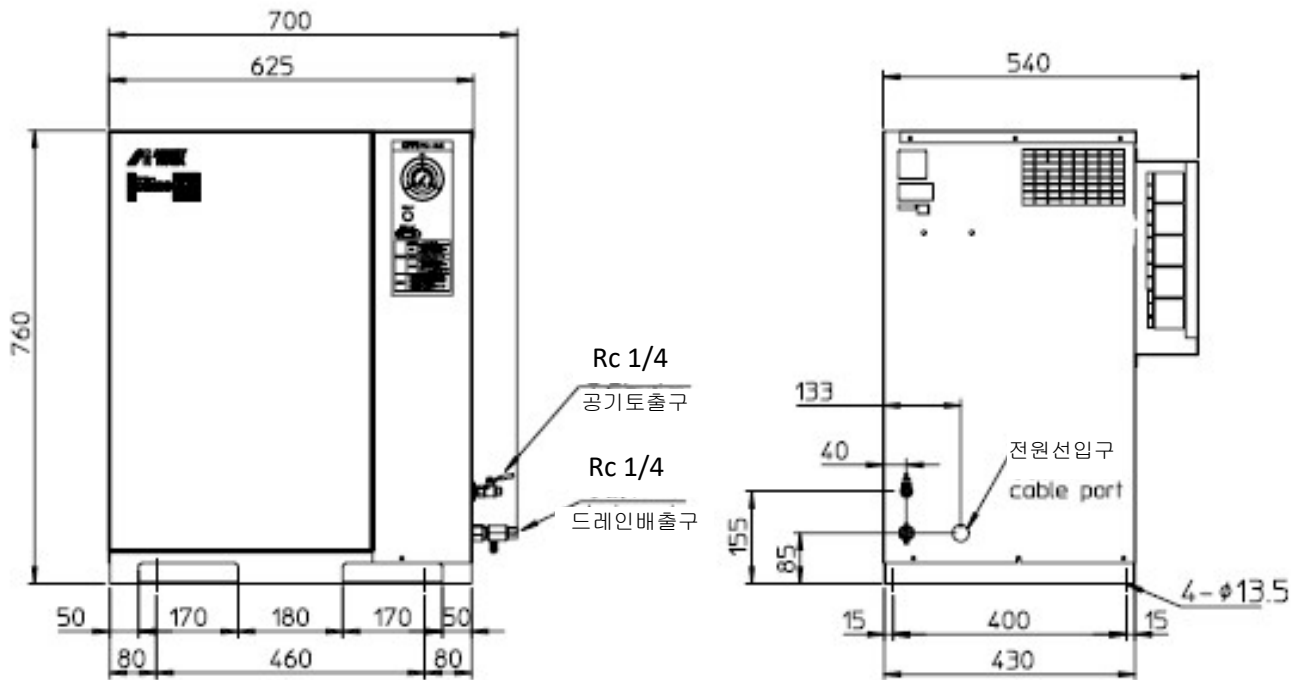
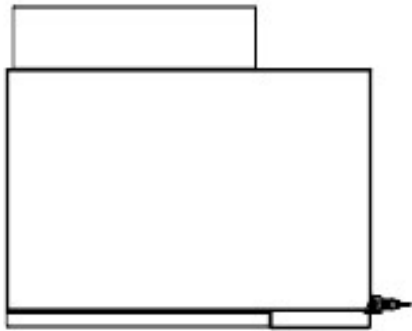
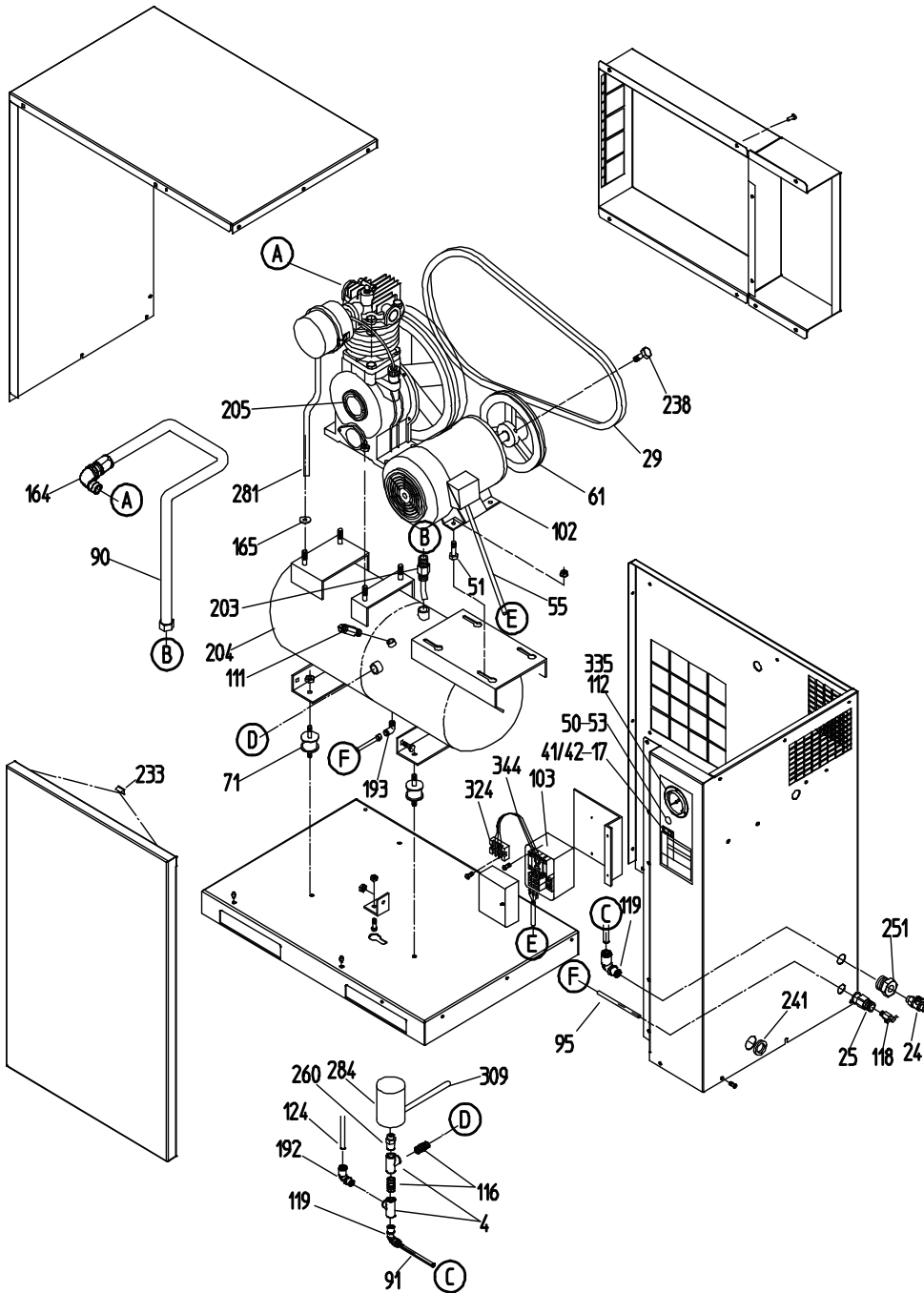


Oil-Free Reciprocating Air Compressor	DATE	17-0102
	CUSTOMER	
	MODEL No.	CFPS07-8.5
1. BASIC COMP.		
Model	F07B-10SP	
Cylinder Bore × Stroke × Number	50×50×1	
Fly wheel dia.	240 mm	
Compressed fluid	Atmosphere (air)	
Compressed method	Oil free Reciprocating, One Stage	
Cooling method	Air cooled	
Operation control	Pressure Switch	
Control pressure	0.65~0.85 MPa	
Free air delivery ※1	80 L/min	
Air end rotation speed	1400 min ⁻¹	
Driving method	V-Belt Driven	
Discharge air outlet	Rc 1/4	
Air temperature set outlet	Atmosphere + 30 °C less than	
Noise level (1.5m from the front) ※2	52 dB(A)	
2. AIR TANK		
Volume	40 L	
Max. Operating pressure	1.08 MPa	
3. MOTOR		
Type of motor	B Class insulation 4 pole	
Output power	0.75 kW	
Electric source	Three phase AC 380V/60Hz	
Rated current (60Hz)	1.95 A	
Starter method	Magnetic contactor direct start	
4. PROTECTION		
Over current stop	Thermal Relay (OCR)	
5. OTHERS		
Dimension (L x W x H) ※3	625 x 540 x 760 mm	
Approx. weight	69 kg	
Accessories	Instruction manual	
REMARK		
<p>※1. Air delivery is discharged air volume at 0.85MPa converted into atmospheric pressure.</p> <p>※2. Noise level is measured at an anechoic room under loading operation.</p> <p>※3. The dimension is outer size excluding ball valve.</p>		



Product Name	Oil-Free Reciprocating Air Compressor	Model	CFPS07-8.5	REV. 0
--------------	---------------------------------------	-------	------------	--------



번호	부품명	수량
4	T배관	2
17	스위치	1
24	볼 밸브	1
25	유니온	1
29	V 벨트	1
41	운전스위치코드(1)	1
42	운전스위치코드(2)	1
50	표시등	1
51	볼트	4
53	램프코드	2
55	모터코드	1
61	모터풀리	1
71	방진고무	4
90	접속관 세트	1
91	토출파이프	1
95	드레인 배출파이프	1
102	모터	1
103	전자개폐기	1
111	안전밸브	1
112	압력계	1
116	니플	2
118	드레인 밸브	1
119	엘보 유니온	2
124	압력계 파이프	1
164	특수 엘보	1
165	방진고무(본체)	4
192	엘보 유니온	1
193	엘보 유니온	1
203	조인트 세트	1
204	공기탱크 세트	1
205	압축기 본체	1
233	라쳇스트라이크	4
238	고압육각볼트	1
241	막부 고무부시	1
251	PT판넬	1
260	경량 니플	1
281	흡입호스 세트	1
284	압력개폐기	1
309	압력개폐기 코드	1
324	단자대	1
335	메스엘보 유니온	1
344	전원코드	3

Product Name

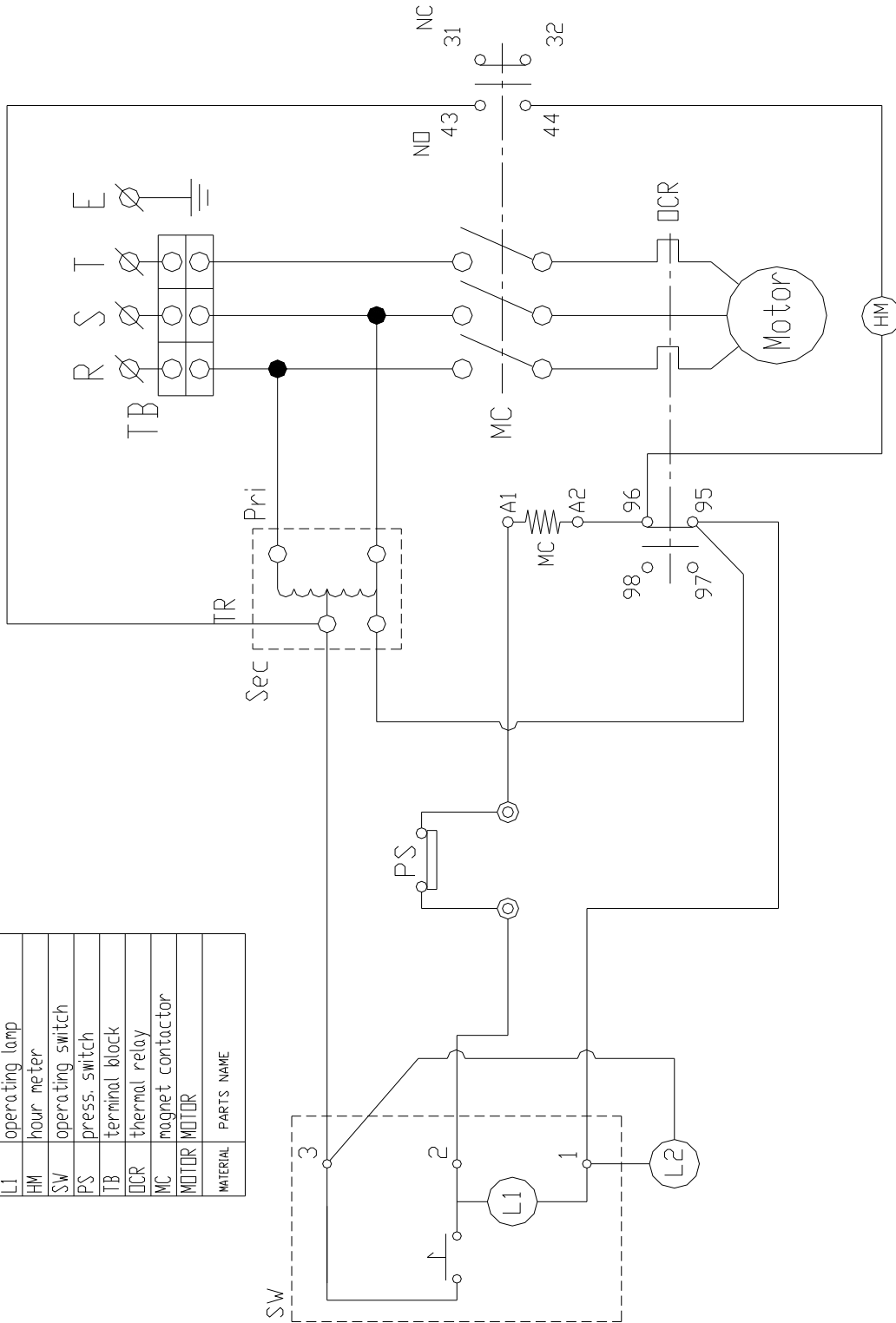
Oil-Free Reciprocating Air Compressor

Model

CFPS07-8.5

REV. 0

L2	lamp
TR	transformer
L1	operating lamp
HM	hour meter
SW	operating switch
PS	press. switch
TB	terminal block
DCR	thermal relay
MC	magnet contactor
MOTOR	MOTOR
MATERIAL	PARTS NAME



Product Name

Oil-Free Reciprocating Air Compressor

Model

CFPS07-8.5

REV. 0