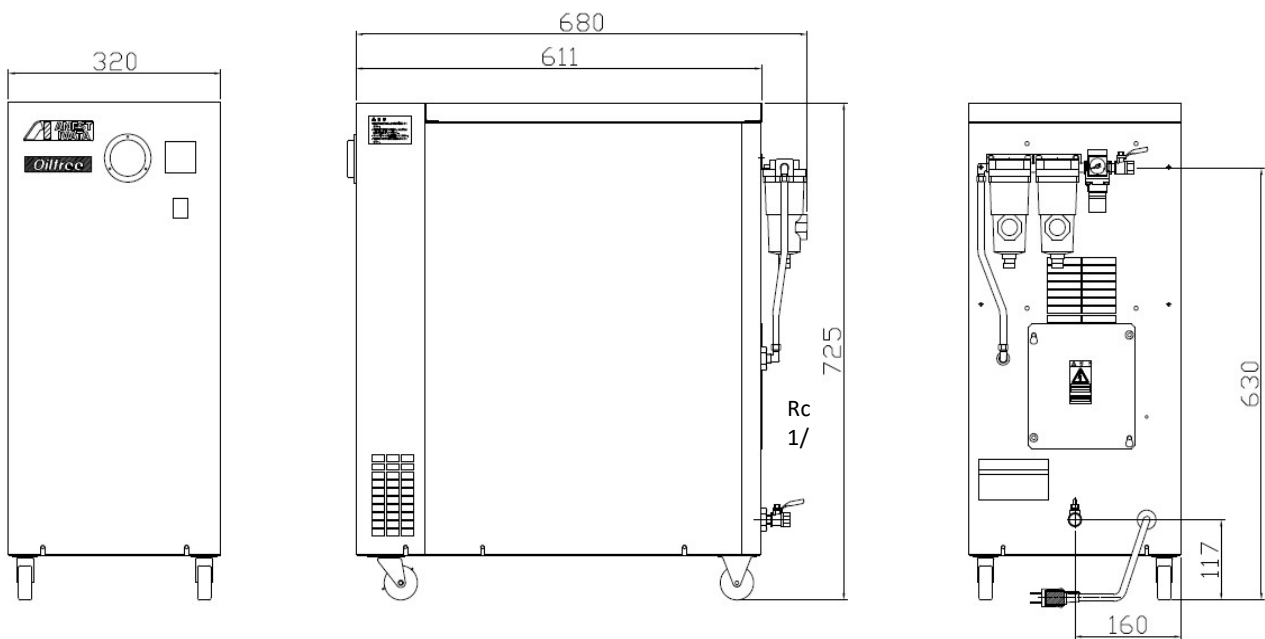


Oil-Free Reciprocating Air Compressor	DATE	17-0102
	CUSTOMER	
	MODEL No.	CFPS04-7.0
<b>1. BASIC COMP.</b>		
Model	OF-104ES4-226	
Cylinder Bore × Stroke × Number	44×40×1	
Compressed fluid	Atmosphere (air)	
Compressed method	Oil free Reciprocating, One Stage	
Cooling method	Air cooled	
Operation control	Pressure Switch	
Control pressure	0.5~0.7 MPa	
Free air delivery ※1	40 L/min	
Air end rotation speed	1720 min-1	
Driving method	Motor Direct Driven	
Discharge air outlet	Rc 1/4	
Air temperature set outlet	Atmosphere + 30℃ less than	
Noise level (1.5m from the front) ※2	49 dB(A)	
<b>2. AIR TANK</b>		
Volume	18 L	
Max. Operating pressure	1.08 MPa	
<b>3. MOTOR</b>		
Type of motor	E Class insulation 4 pole	
Output power	0.4 kW	
Electric source	Single phase AC 220V/60Hz	
Rated current (60Hz)	3.04 A	
Starter method	Magnetic contactor direct start	
<b>4. PROTECTION</b>		
Over current stop	Thermal Relay (OCR)	
<b>5. OTHERS</b>		
Dimension (L x W x H) ※3	320 x 611 x 725 mm	
Approx. weight	60 kg	
Accessories	Instruction manual	
<b>REMARK</b>		
※1. Air delivery is discharged air volume at 0.7MPa converted into atmospheric pressure.		
※2. Noise level is measured at an anechoic room under loading operation.		
※3. The dimension is outer size excluding ball valve.		



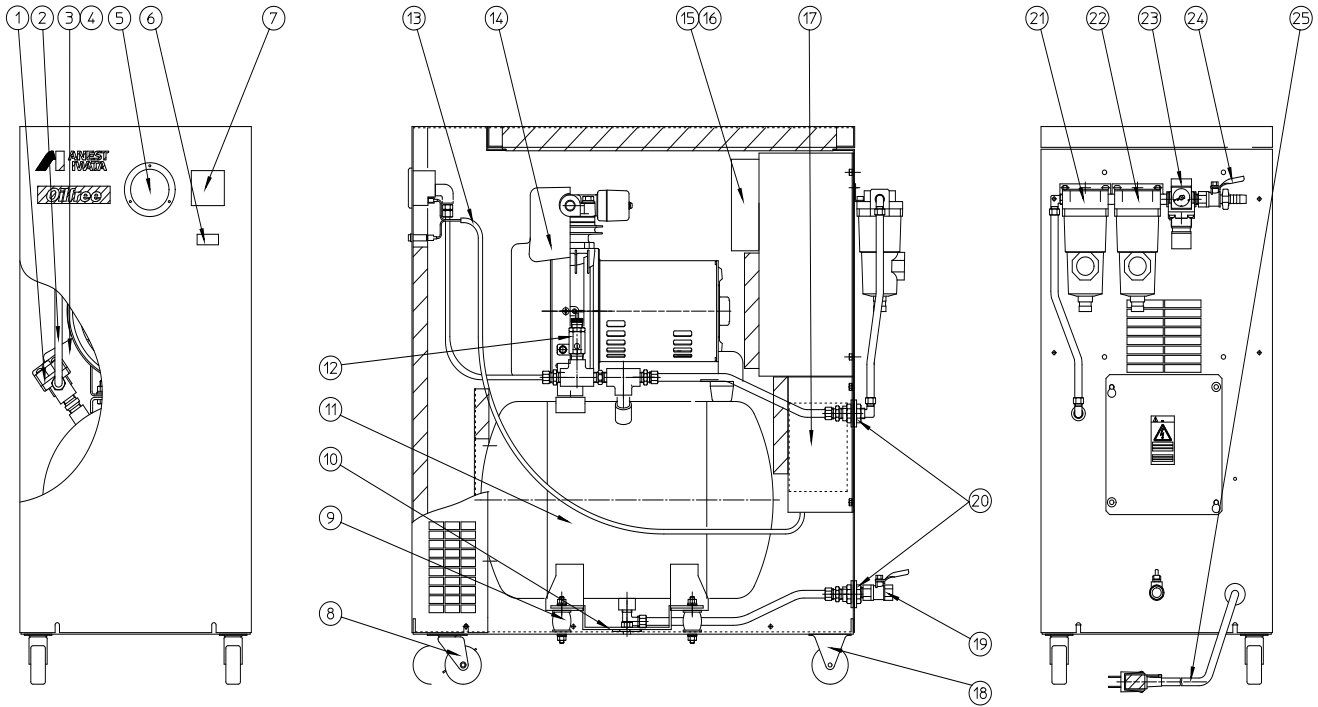
Product Name

**Oil-Free Reciprocating Air Compressor**

Model

CFPS04-7.0

REV. 0



No	부품명칭	No	부품명칭	No	부품명칭
1	체크밸브	10	고정금구	19	드레인밸브
2	접속관	11	공기탱크	20	판넬조인트
3	압력개폐기	12	안전밸브	21	드레인분리기
4	압력개폐기코드	13	계기코드	22	미스트필터
5	압력계	14	압축기본체	23	감압밸브
6	전원스위치	15	전동팬	24	스톱밸브(공기)
7	시간계	16	팬코드	25	전원코드
8	바퀴	17	전자개폐기		
9	방진고무	18	바퀴		

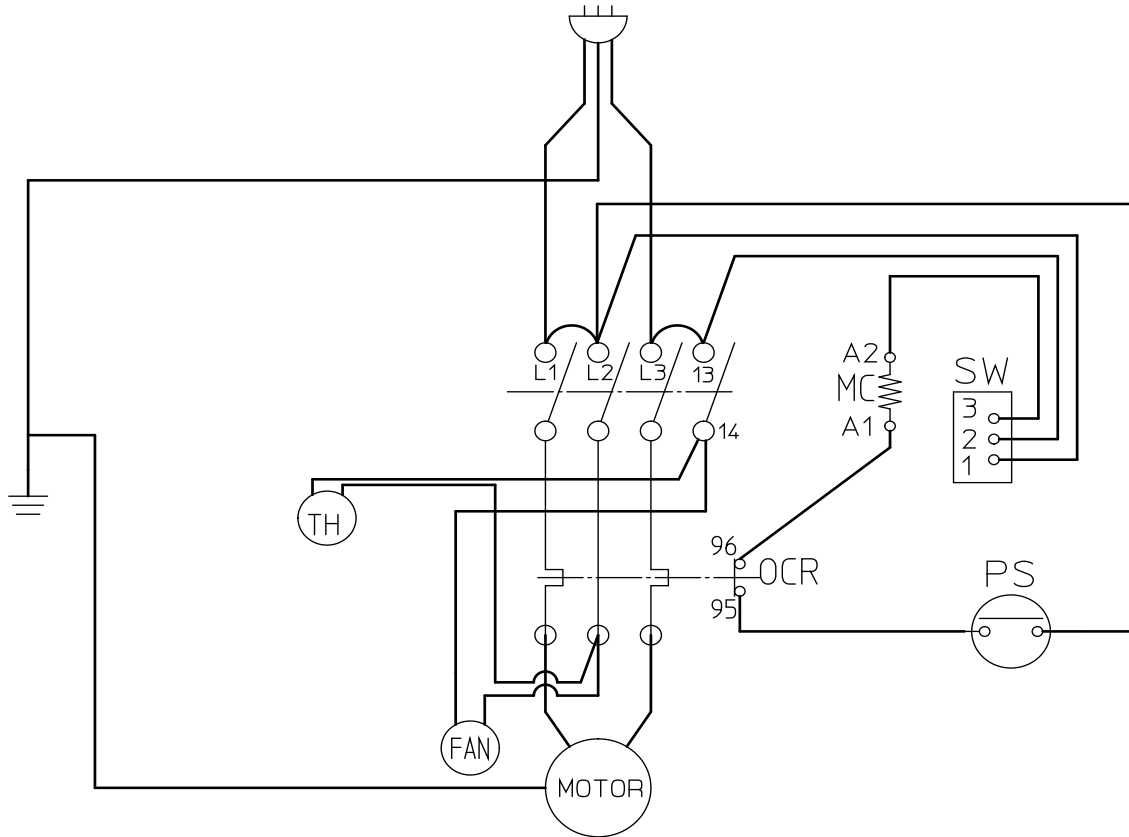
Product Name

**Oil-Free Reciprocating Air Compressor**

Model

CFPS04-7.0

REV. 0



기호	부품명칭
MOTOR	전동기
MC	전자개폐기
OCR	써멀릴레이
SW	운전스위치
PS	압력개폐기
TH	시간계
FAN	전동팬

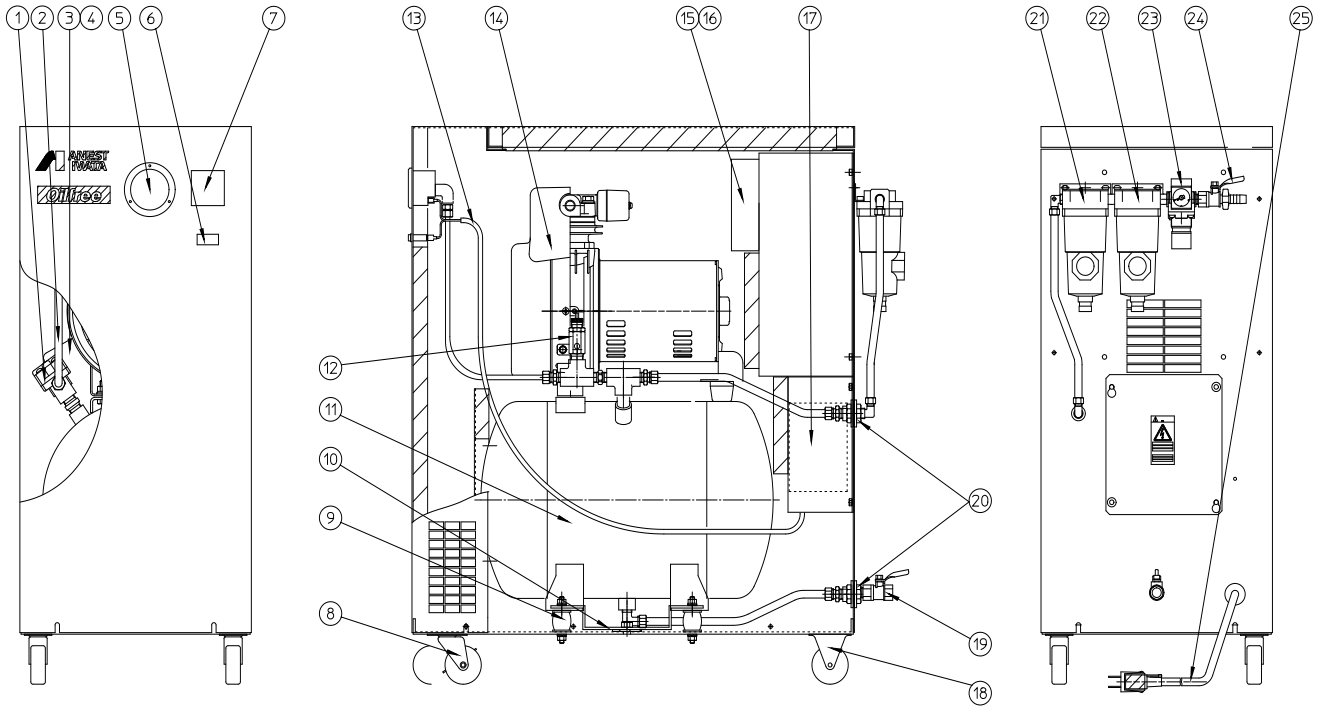
Product Name

**Oil-Free Reciprocating Air Compressor**

Model

CFPS04-7.0

REV. 0



No	Part Name	No	Part Name	No	Part Name
1	Check valve	10	Fixing Metal Tool	19	Drain valve
2	Connecting Pipe	11	Air receiver Tank	20	Panel mount Joint
3	Pressure Switch	12	Safety valve	21	Drain Separator
4	Pressure Switch code	13	Control Code	22	Mist Filter
5	Pressure Gauge	14	Air-end	23	Regulator
6	Power Switch	15	Fan motor	24	Stop valve(air)
7	Hour meter	16	Fan code	25	Power code
8	Caster	17	Magnetic Contactor		
9	Anti-vibration Rubber	18	Caster		

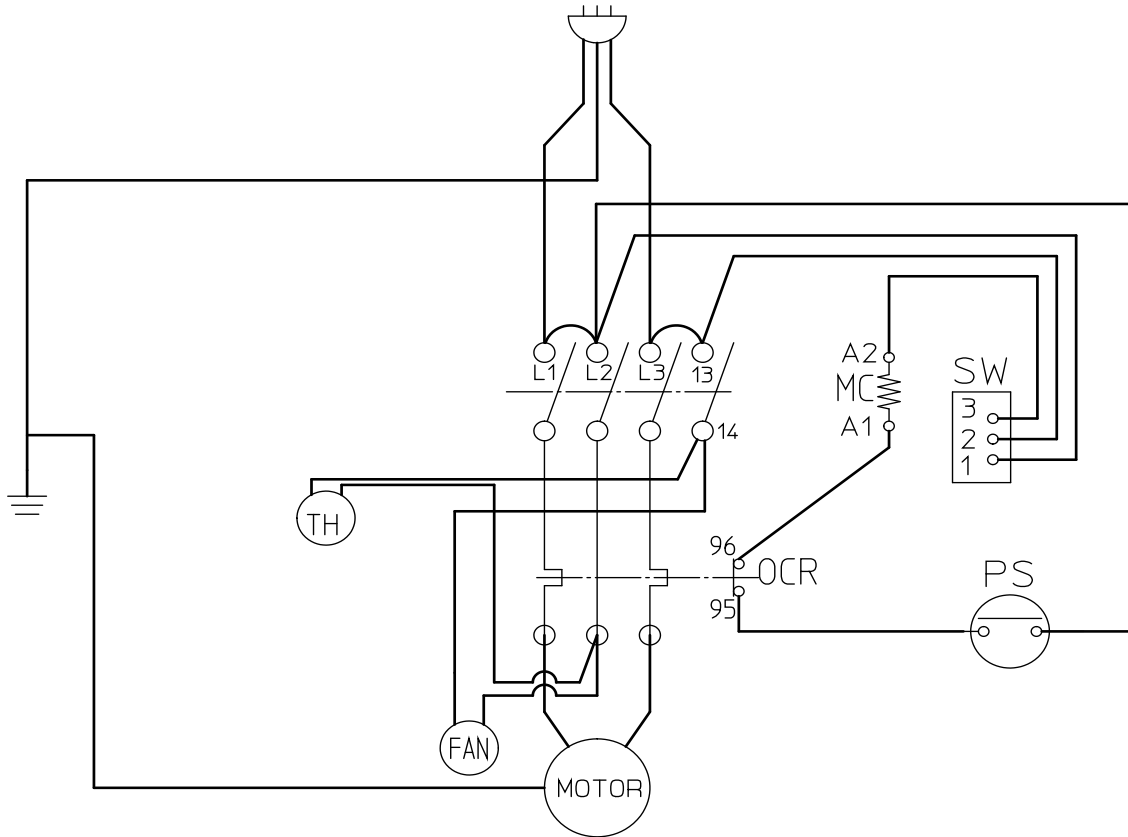
Product Name

**Oil-Free Reciprocating Air Compressor**

Model

CFPS04-7.0

REV. 0



Symbol	Part Name
Motor	Electric Motor
MC	Magnetic contactor
OCR	Thermal Relay
SW	Operating Switch
PS	Pressure Switch
TH	Hour meter
FAN	Fan motor

Product Name

**Oil-Free Reciprocating Air Compressor**

Model

CFPS04-7.0

REV. 0